

NAME: \_\_\_\_\_

DATE: \_\_\_\_\_

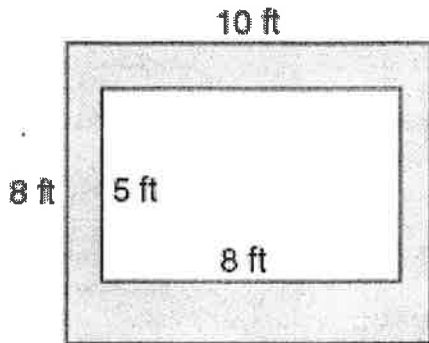
CIRCLES & AREA

PERIOD: \_\_\_\_\_

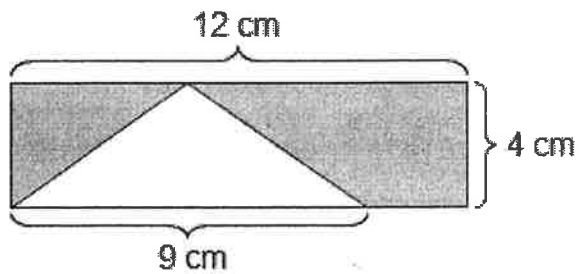
**HOMEWORK - (Topic #9)**  
**Finding the Area of a Shaded Region**

**Find the area of the shaded region. Round your answer to the nearest *hundredth* if necessary. Show all work.**

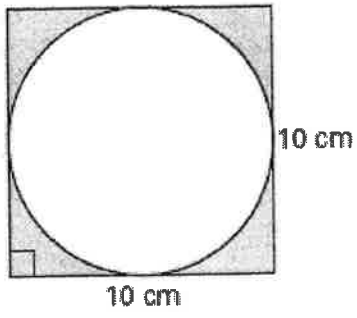
1.



2.



3.



4.

